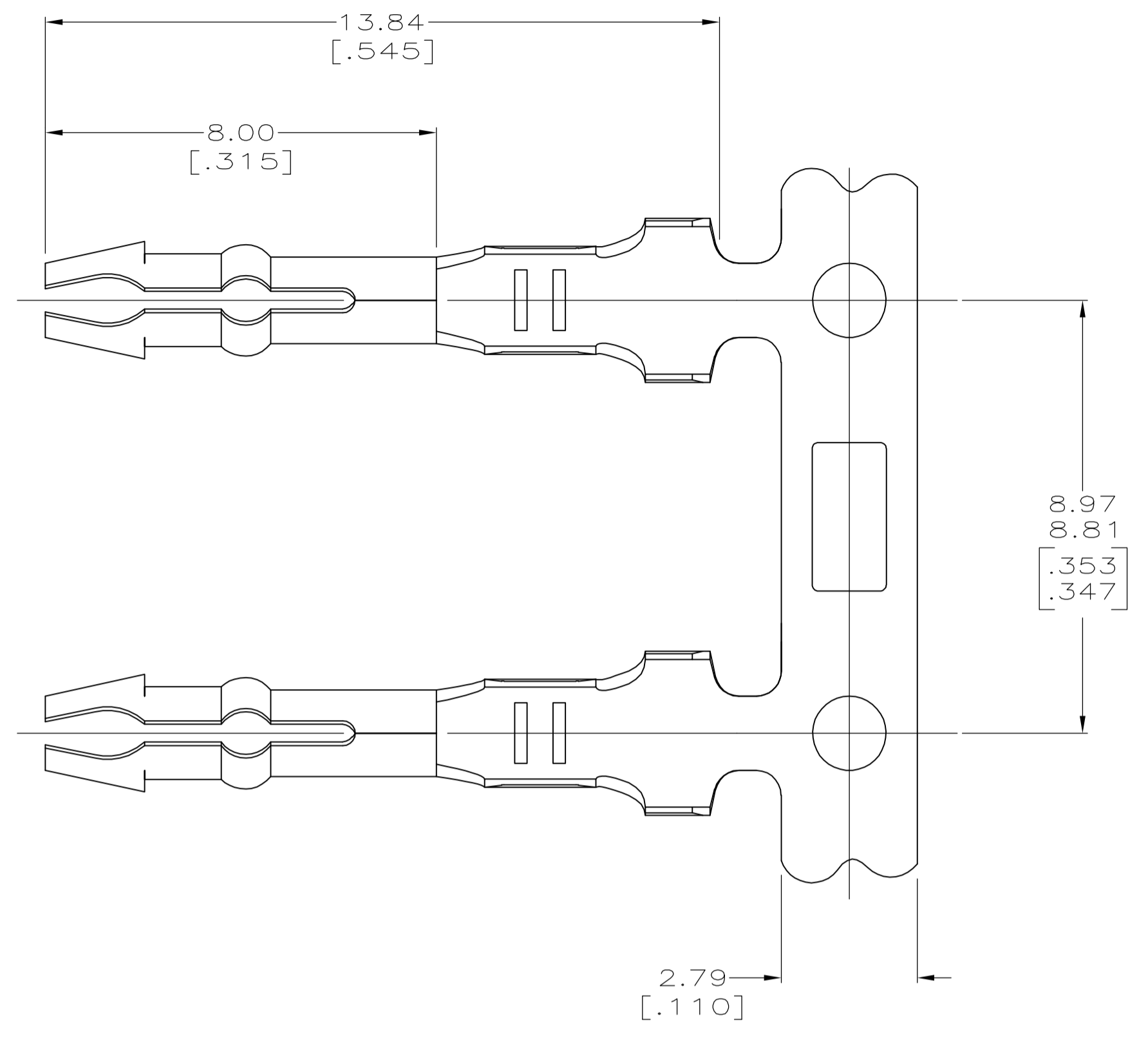
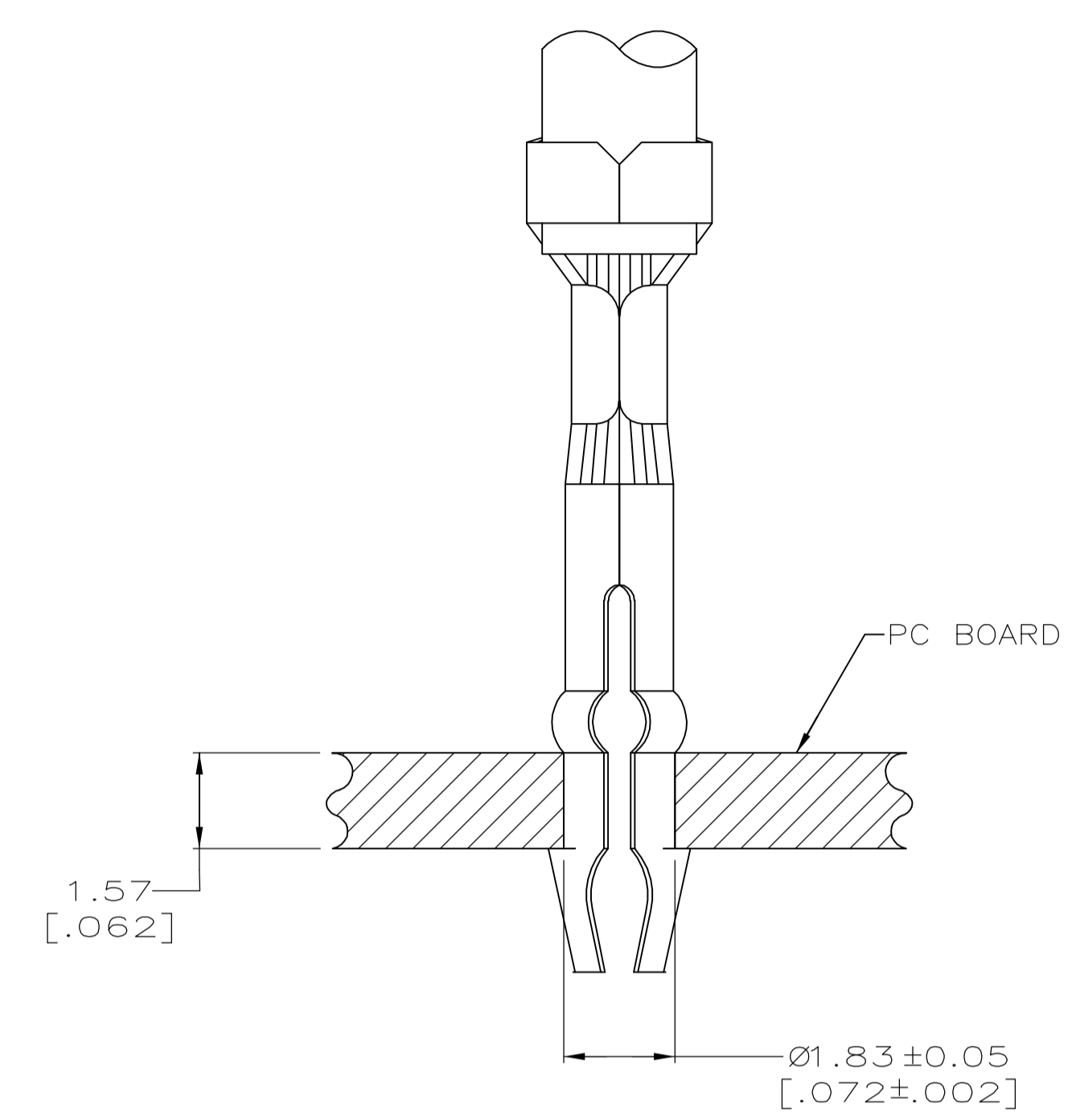
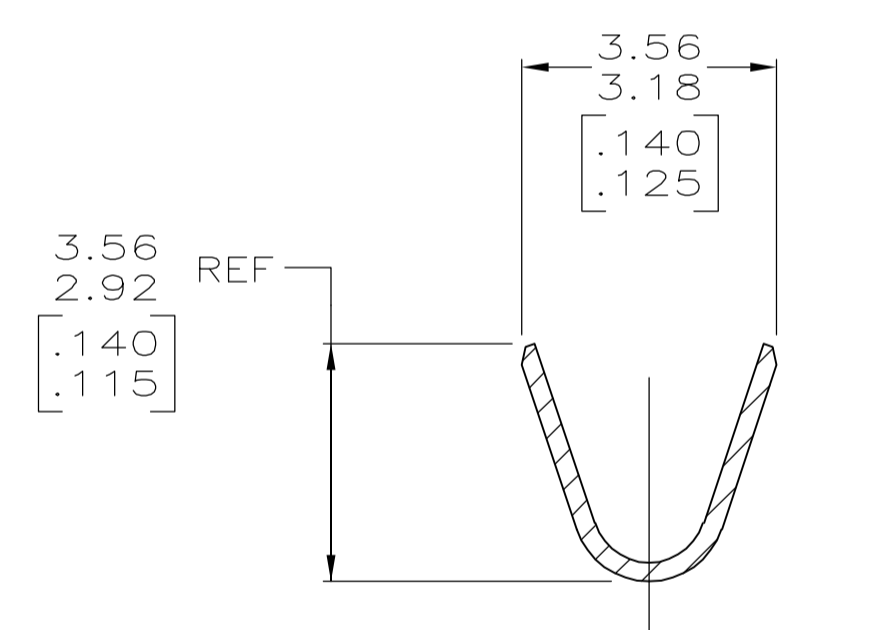
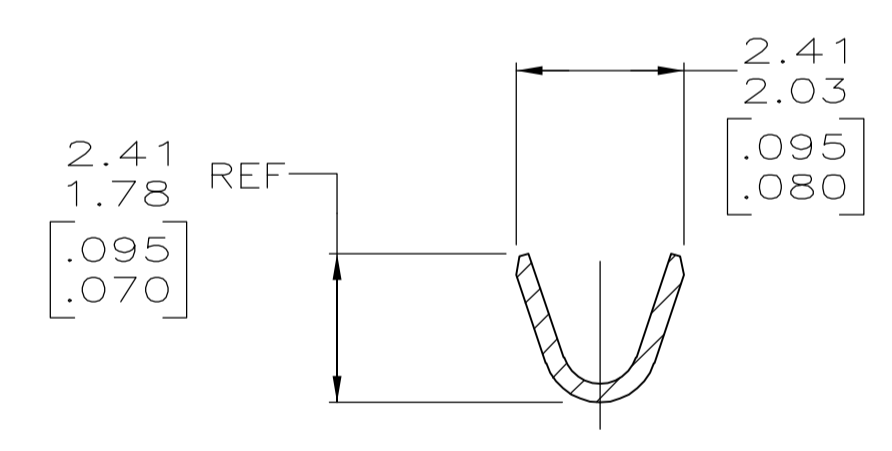
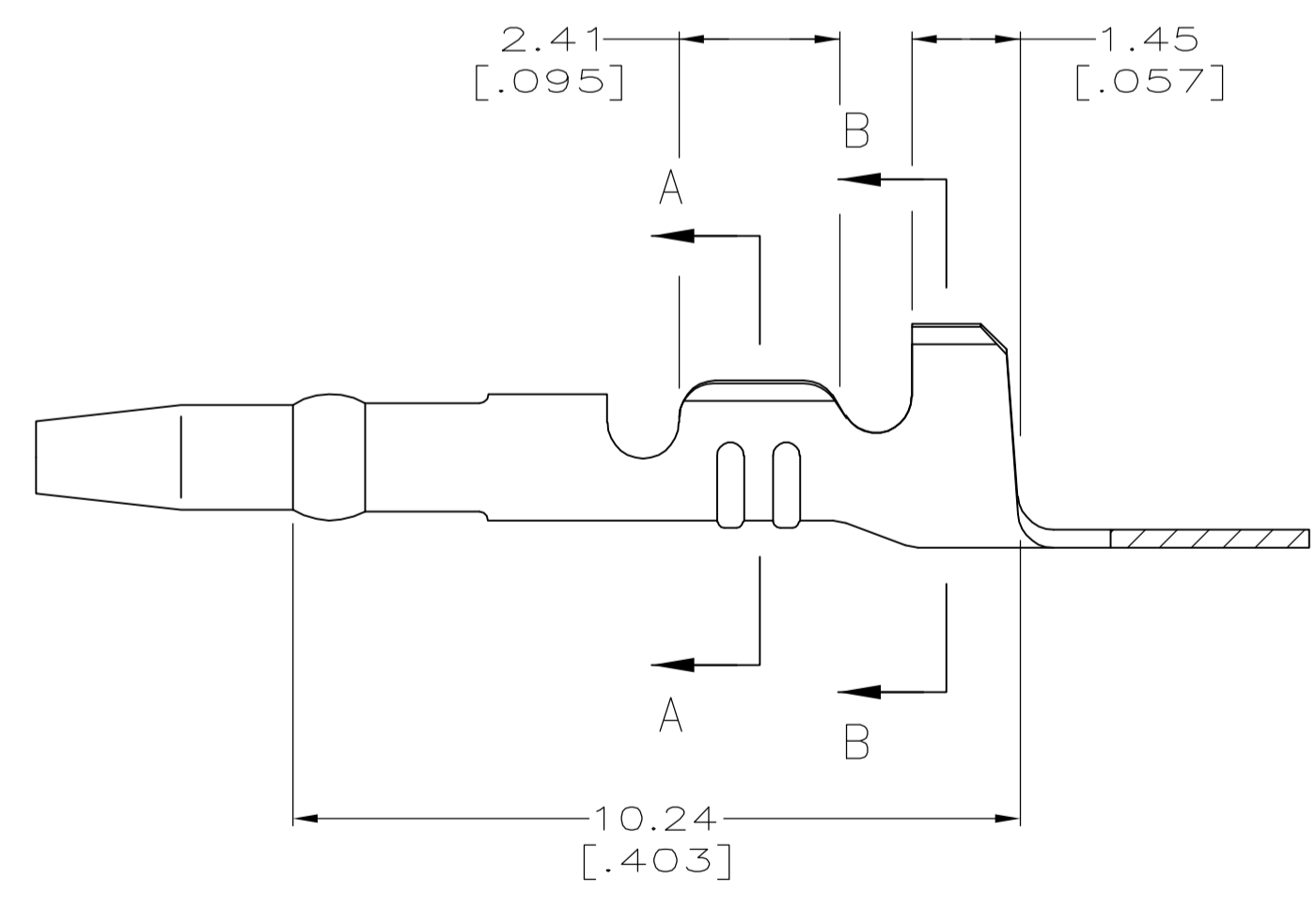


LOC		DIST		REVISIONS			
P	LTR	DESCRIPTION	DATE	DWN	APVD		
AJ1		REVISED PER ECO-06-011101	11MAY06	KW	KW		



NOTE DELETED.

- PARTS COMPLY WITH AMP SOLDERABILITY SPEC 109-11-3.
- WIRE RANGE: 0.3 - 0.6 mm² (22 - 20 AWG).
- INSULATION RANGE: 2.54 [.100] DIA MAX.
- DIMENSIONS IN BRACKETS ARE IN INCHES.



MINI	PRE TIN	0.25 [.010] BRASS	3-42642-3
MINI	PRE TIN-LEAD	0.25 [.010] BRASS	42642-3
APPLICATOR TYPE	FINISH	MATERIAL	PART NUMBER

METRIC

THIS DRAWING IS A CONTROLLED DOCUMENT.

DIMENSIONS: mm [INCHES]	TOLERANCES UNLESS OTHERWISE SPECIFIED:	DWN: K. WHITAKER 11MAY2006		Tyco Electronics Corporation Harrisburg, PA 17105-3608
0 PLC ± -	1 PLC ± -	CHK: K. WHITAKER 11MAY2006		NAME: K. WHITAKER
2 PLC ± -	3 PLC ± 0.25 [.010]	APVD: K. WHITAKER 11MAY2006	PRODUCT SPEC: -	TERMINAL, AMP-IN(TM)
4 PLC ± -	ANGLES ± -	APPLICATION SPEC: -	SIZE: A1	CAGE CODE: 00779
MATERIAL: SEE TABLE	FINISH: SEE TABLE	WEIGHT: -	DRAWING NO: 42642	RESTRICTED TO: -
CUSTOMER DRAWING			SCALE: 10:1	SHEET: 1 OF 1